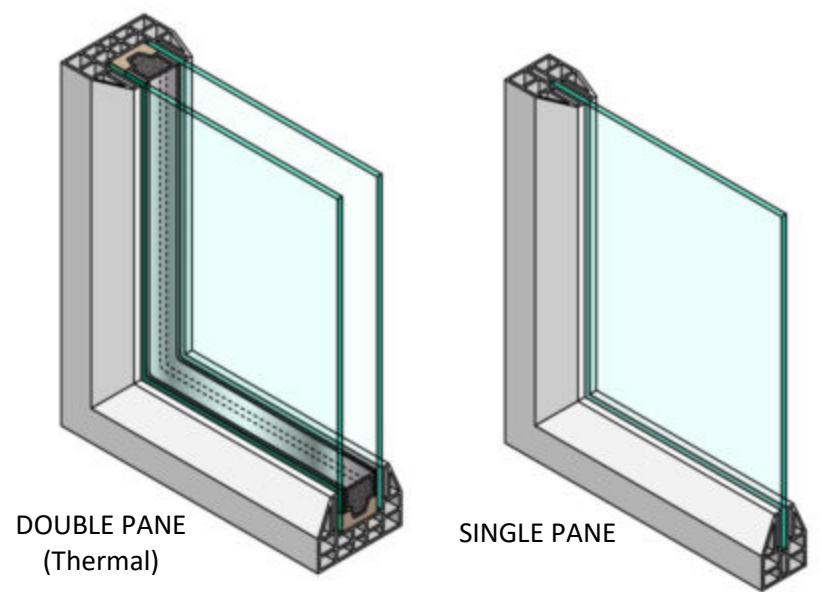


# HAVE YOU HEARD



All Jacobsen Homes models will now have thermal pane windows as a standard feature.

## What does that mean to our homeowners?

### Single pane windows vs. Double pane.

Single pane windows have numerous drawbacks. They are a lot less energy efficient than double pane windows. Windows with one pane of glass make a room much cooler in our colder months because they allow heat to escape, while in the warmer months, allow heat to leak into your home. Single pane windows are also very poor at reducing the amount of outside noise entering your home.

Double pane windows create a thermal barrier between the two panes of glass, helping to maintain the inside temperature of your home. To increase the efficiency of this thermal barrier even more, window manufacturers fill the space between the panes with an insulating gas. This gas fill also does a more efficient job at reducing outside noise. Double pane windows help reflect heat as well as reducing the amount of ultraviolet rays entering the room, reducing fading of furniture and carpets.

It becomes obvious that double pane windows are much more energy efficient than single pane windows. This means your heating and cooling system doesn't have to work as hard to keep the temperature at a comfortable level, reducing your utility expenses as well as wear-and-tear on your HVAC system while increasing your home's value.

### What are the benefits of double pane windows versus single pane windows?

**Energy Efficiency:** On average homeowners with double pane windows see an energy saving of anywhere from 5-25 percent depending on other energy efficiency factors in the home such as insulation & roof age.

**Consistency of Climate:** Double panes windows help keep draft out in the winter and filter the sun's heat to help regulate the temperature in your home.

**Fade Factor:** Double pane windows keep out the summer heat and harmful UV rays that can fade your fabric, drapes, furniture and carpet.

**Keeping Quiet:** Double panes can help to soften the sounds from outdoors.

**Condensation Correction:** Keeping the cold out and the warmth inside your home is a tough task in colder months and sometimes as a result water will accumulate on your single pane windows as that head on collision occurs. Double pane windows add that layer so the outdoor cold pane is separated from the inner warm one.